

Grange Design Atlantic Tap Range

Installation Instructions

These instructions cover the following products.

GDA100001, GDA100002, GDA100003, GDA100004, GDA100005, GDA100006
GDA100007, GDA100008, GDA100009, GDA100010, GDA10011

These products should be fitted by a qualified installer

Installation must comply with local authority regulations

Hot and Cold supplies should be nominally balanced

Separate Non- Return valves should be fitted to hot and cold supplies

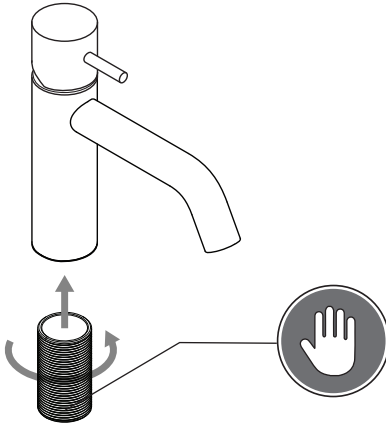
The recommended minimum supply pressure for these products is 1.0 Bar

The recommend maximum supply pressure for these products is 6.0 Bar

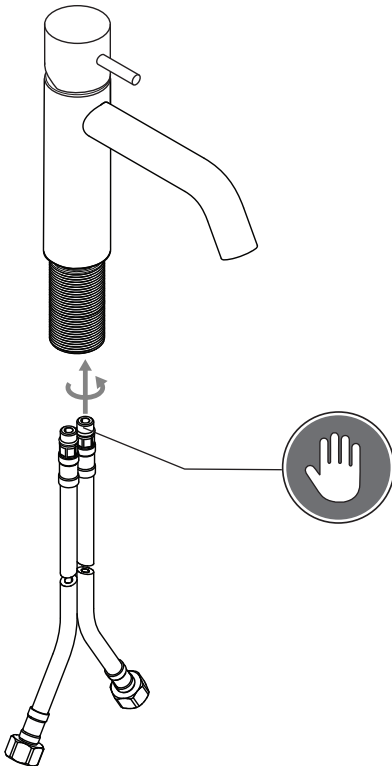
These products are not suitable to be fitted to an indirect plumbing system
(Gravity fed system)

Before installation, please ensure that all pipework has been thoroughly flushed
to prevent internal damage to the product or its internal parts.

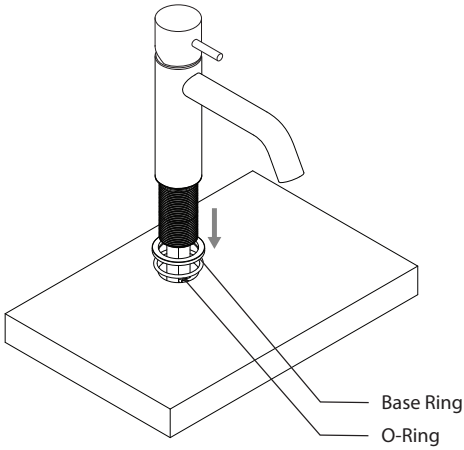
Single Lever Mono
Tall Single Lever Mono
Single Lever Bidet



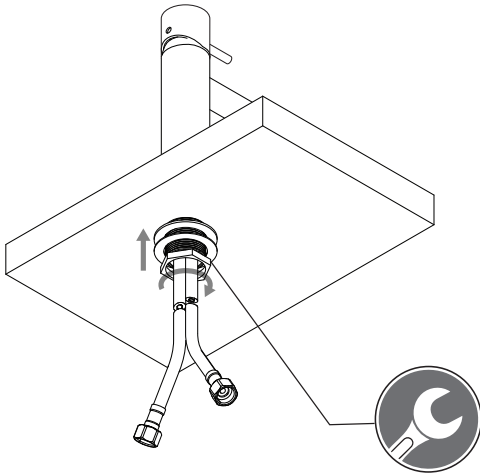
1) Screw the threaded brass connector into the tap body and hand tighten



2) Screw the flexible hoses into the water inlets of the tap body and hand tighten



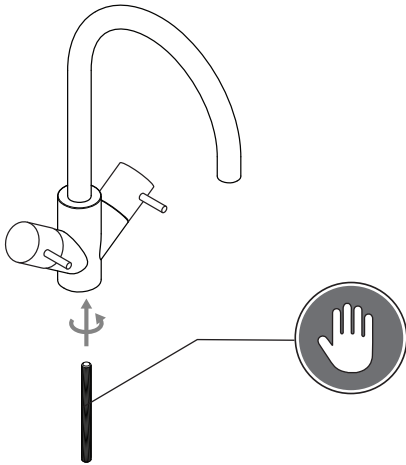
- 3) Fit the base ring and o-ring on to the tap body, and insert the body in to the tap hole.



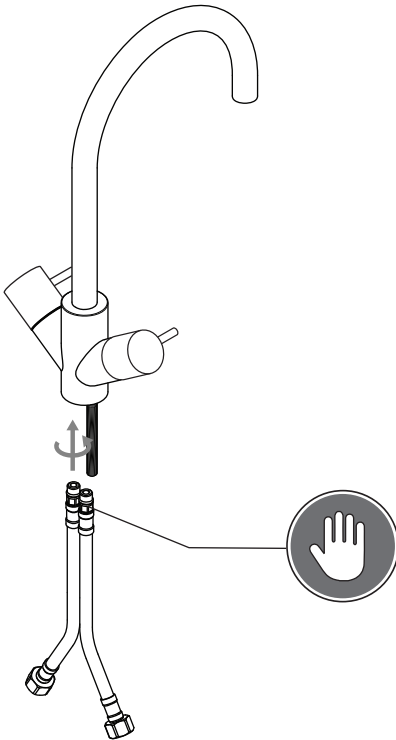
- 4) From beneath, fit the rubber washer followed by the metal washer and secure using the locking nut. Finally connect the flexible connections to the hot & cold supply.



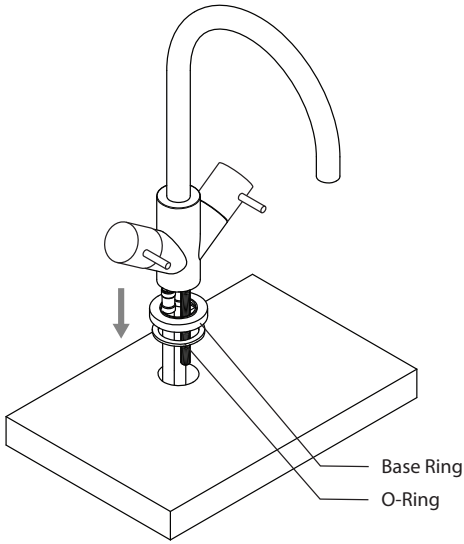
Two Handle Mono Basin Mixer



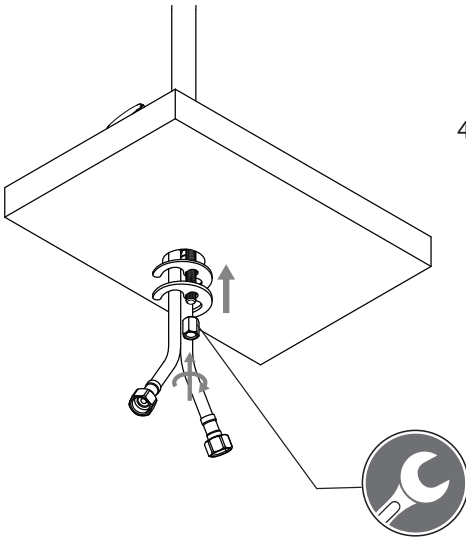
1) Screw the threaded rod in to the tap body and hand tighten.



2) Screw the flexible connectors into the tap body and hand tighten.



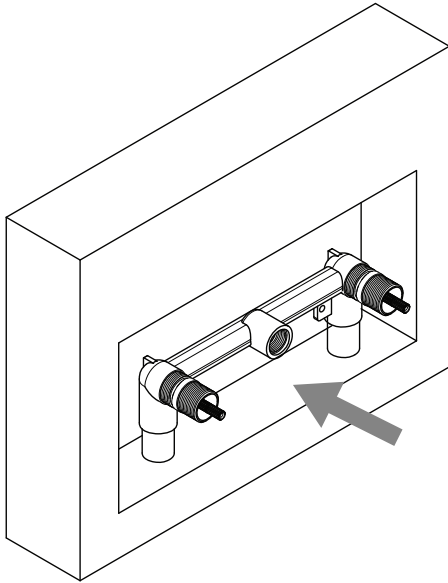
3) Fit the base ring and o-ring on to the tap body, and then insert the tap into the tap hole.



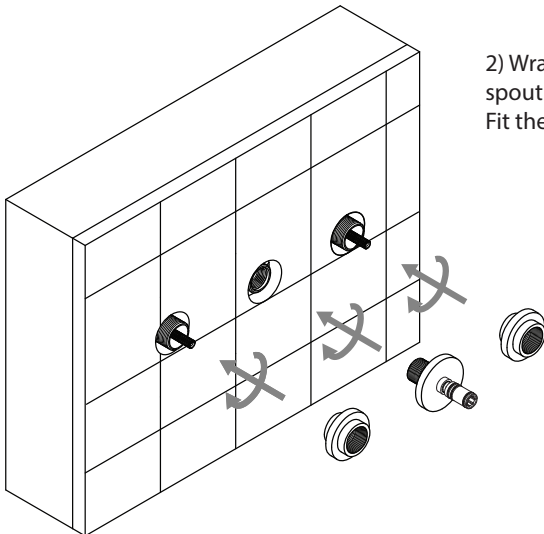
4) From beneath, fit the rubber washer, followed by the metal washer. Then fit the locking nut on to the threaded rod and tighten using a spanner. Finally connect the flexible connectors to the hot and cold supply.



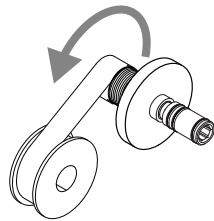
3pc Wall Mounted Basin Mixer

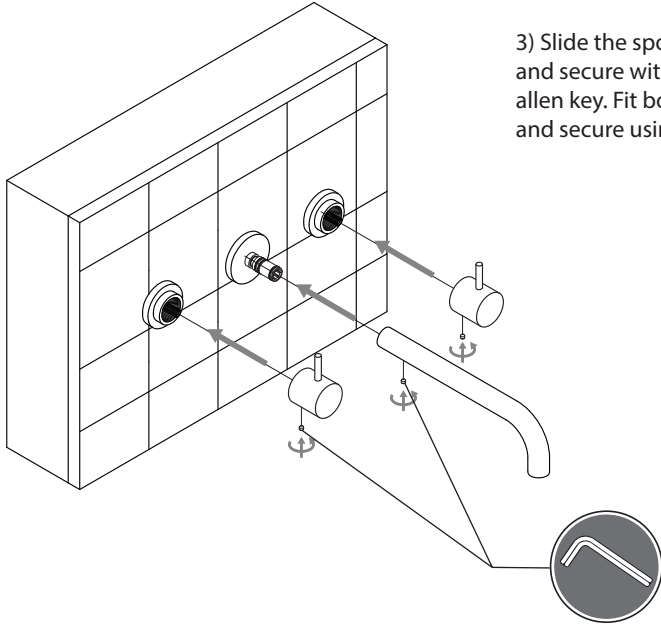


1) Install the built in part into the wall and secure. Connect the hot & cold supply pipework to the corresponding inlets of the tap body. Carefully check the depth before finishing / tiling the wall. Allow access holes of no more than 40mm for each control in order to service the flow cartridges.

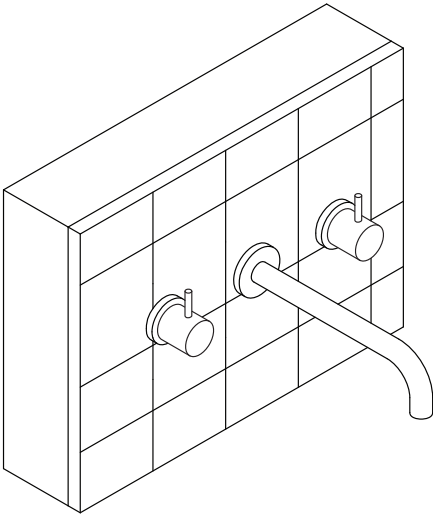


2) Wrap some PTFE tape onto the thread of the spout connector, and screw into the tap body. Fit the wall plates by screwing onto the tap body.



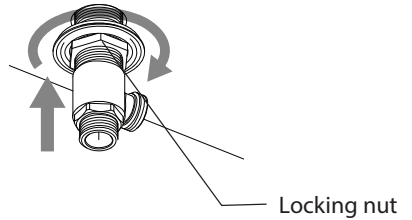
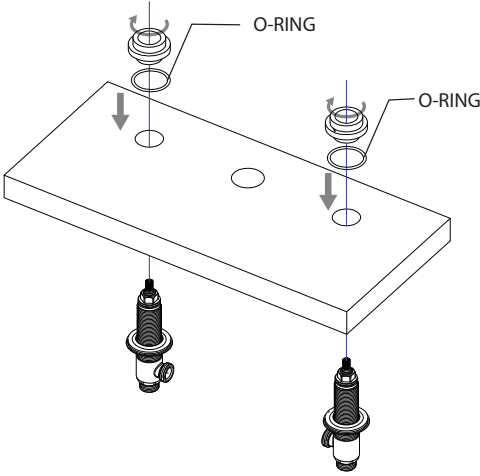


3) Slide the spout onto the spout connector and secure with the grub screw using the 2.5mm allen key. Fit both handles to the hot and cold valves and secure using the grub screw and a 2.5mm allen key.

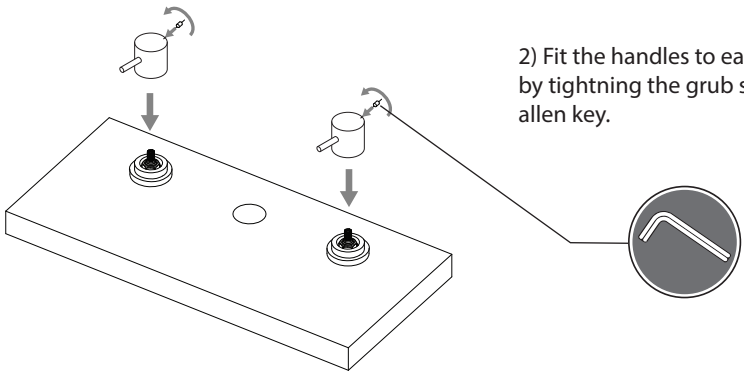


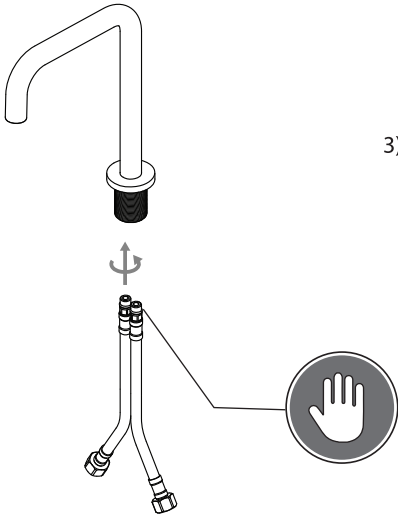
3pc deck Mounted Basin Mixer

1) Firstly fit the locking nut, metal washer & rubber washer to each deck valve. Insert each deck valve through the tap hole from underneath. From the top, fit the o ring to the deck flange and screw down onto the valve until it locks then, secure each valve by tightening the locking nut.

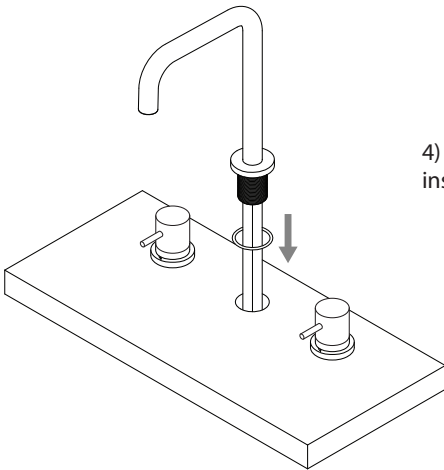


2) Fit the handles to each valve and secure by tightening the grub screw, using a 2.5mm allen key.

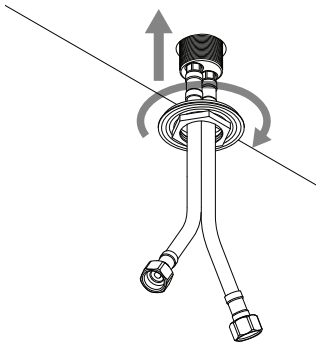




3) Screw the flexible connectors into the spout.



4) Fit the o-ring to the spout base ring, and then insert the spout into the tap hole.

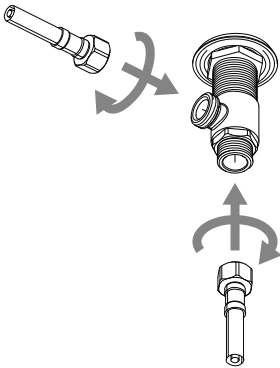


5) Holding the spout, fit the rubber washer, then the metal washer, and secure by fitting the locking nut and tightening.

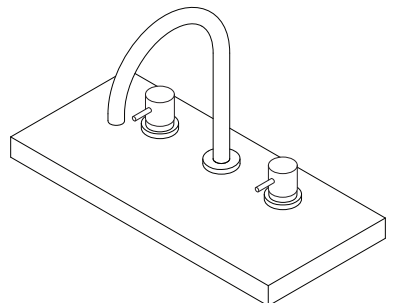
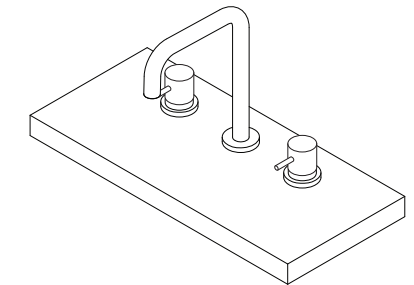


ATTENTION

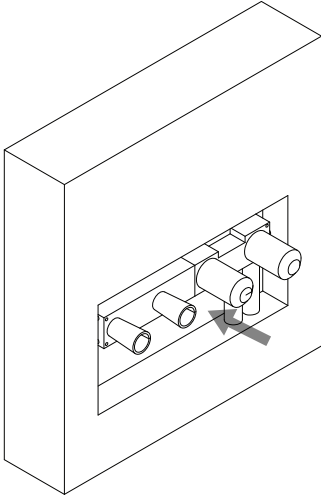
Two operators are required to avoid damage.



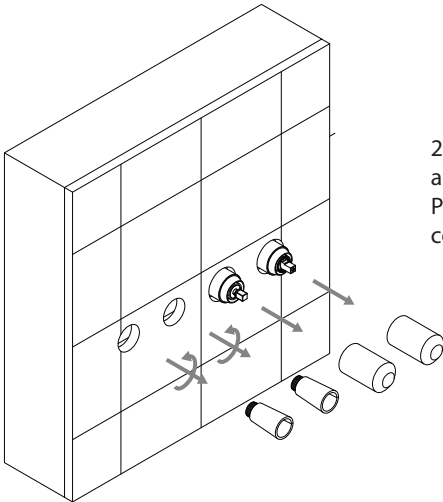
6) Fit the flexible connectors from the spout to the outlets on each deck valve. Connect Hot and Cold water supplies to each deck valve.



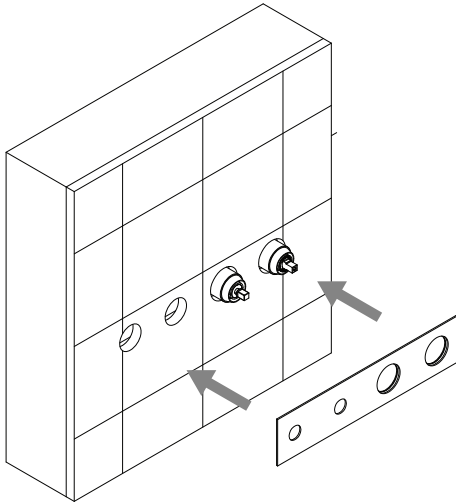
Wall Mounted Bath Shower Mixer



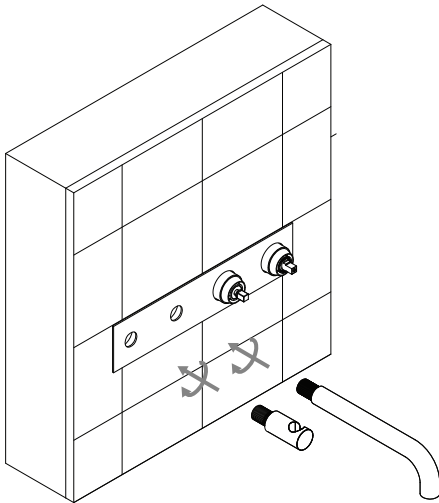
1) Install the built in part into the wall and secure.
Connect the hot & Cold supply pipework, to the corresponding inlets of the tap body.
Carefully check the depth before finishing / tiling the wall.



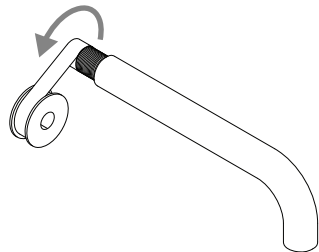
2) Remove the plastic plugs from the spout outlet,
and the handset wall outlet by un-screwing
Pull off the two plastic caps from the flow and diverter
controls

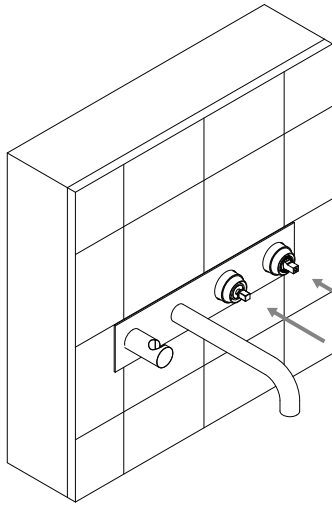


3) Fit the concealing plate and secure using a small bead of silicon sealent. Take care not to damage or scratch the plate.



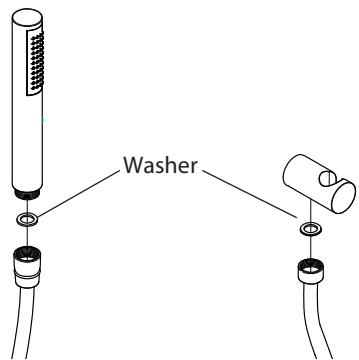
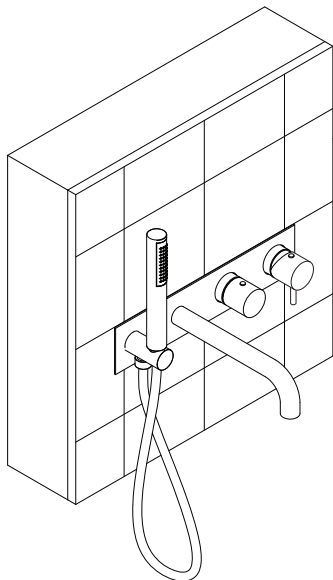
4) Wrap some PTFE tape around the thread of both the spout thread and the hand shower support thread. Screw the spout into the tap body. Screw the hand shower support in to the tap body.



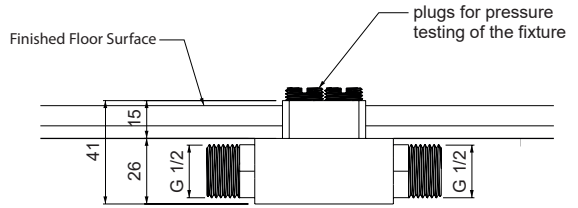
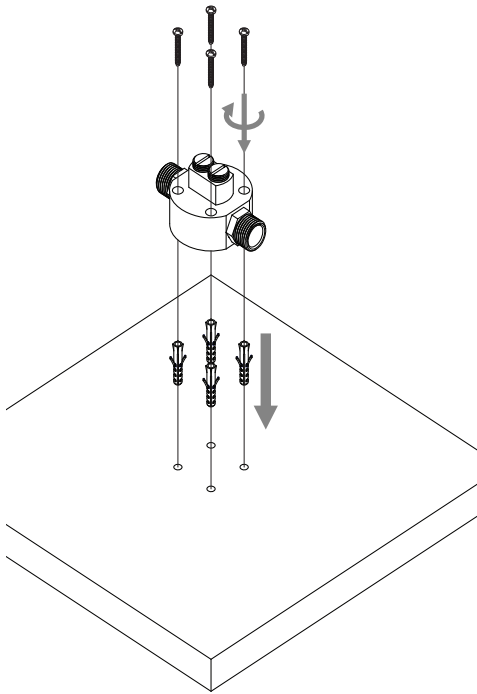


5) Fit both control handles. Secure by tightening the grub screws using a 2.5mm allen key.

6) Connect the conical end of the hose to the hand-shower, and the other end of the hose to the hand-shower outlet



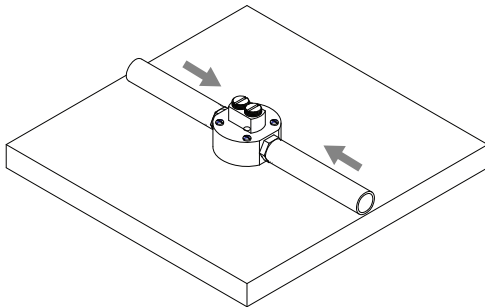
Floor Mounted Single Lever Bath Shower Mixer



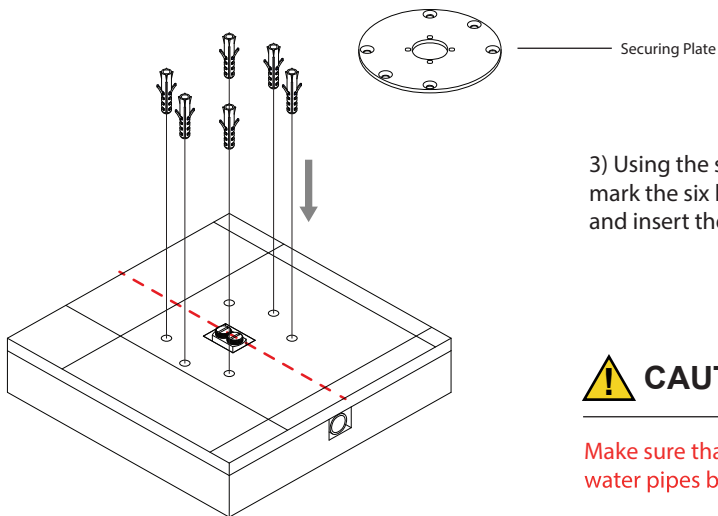
Please note that if fitting to a suspended wooden floor, you will need to fit a supporting block between joists to mount the tap base connector. Use suitable fixing screws (not supplied)

For solid floor fixing use the screws and plugs supplied

1) Drill four $\varnothing 5\text{mm}$ holes, then insert plugs and secure tap base using the screws.



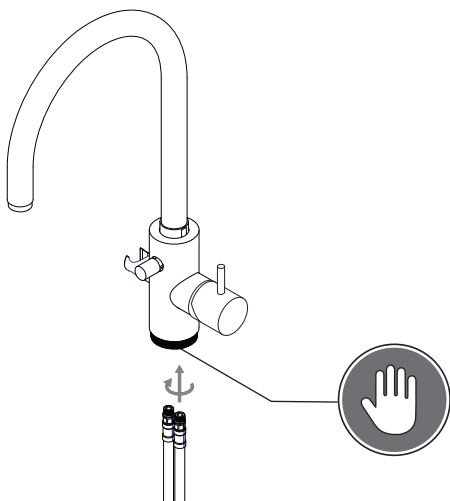
2) Connect the hot and cold water supplies to the tap base and then pressure test.



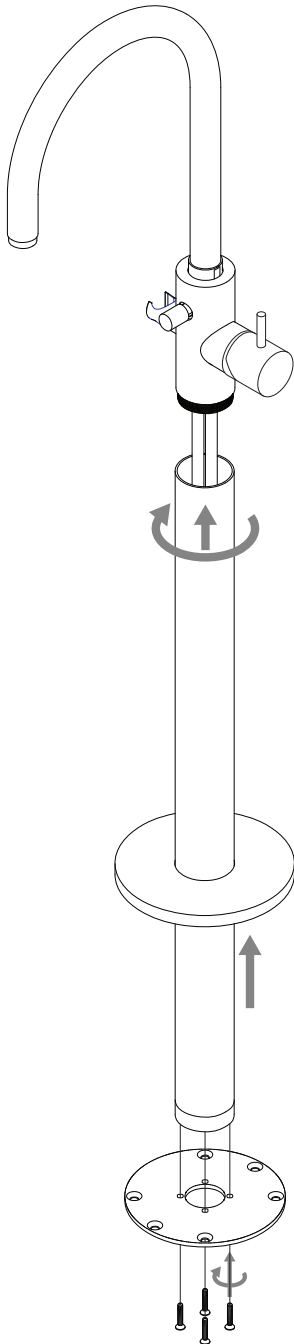
3) Using the securing plate as a template, mark the six holes and drill using an 8mm bit and insert the six plastic plugs provided.

 **CAUTION / ATTENZIONE**

Make sure that you do not drill in to the water pipes below the floor.



4) Screw the flexible hoses into the inlets on the tap body and hand tighten.

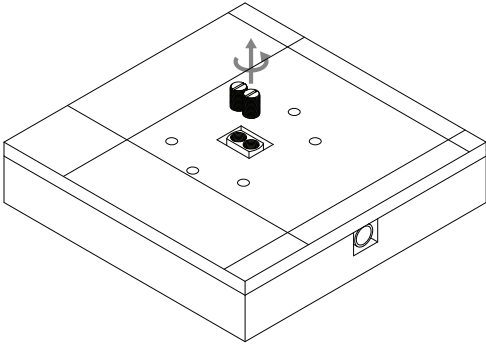


5) Insert the flexible hoses into the column, and then screw the column to the mixer body.

6) Slide the cover plate onto the column, then fix the base plate to the bottom of the column using the four screws provided.

 **CAUTION / ATTENZIONE**

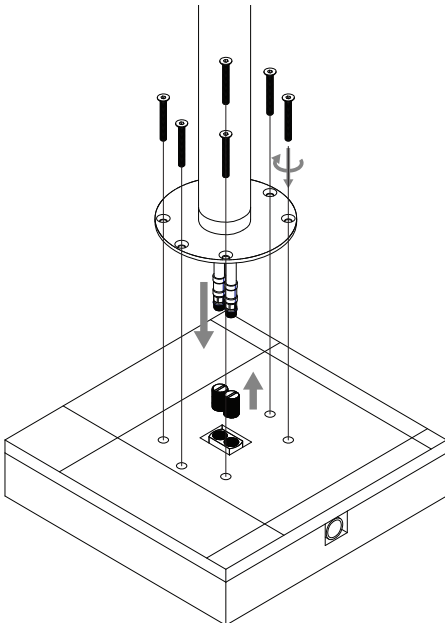
While sliding the cover plate over the column take care not to damage or scratch the column surface.



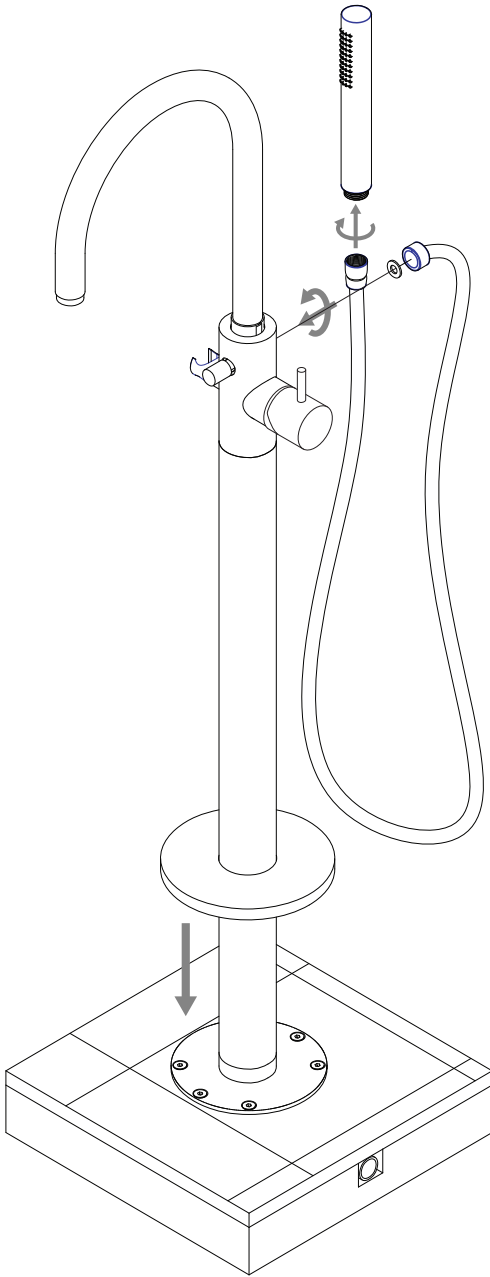
7) Remove the plugs from the tap base.

 **CAUTION / ATTENZIONE**

Make sure that the water has been turned off before you remove the plugs

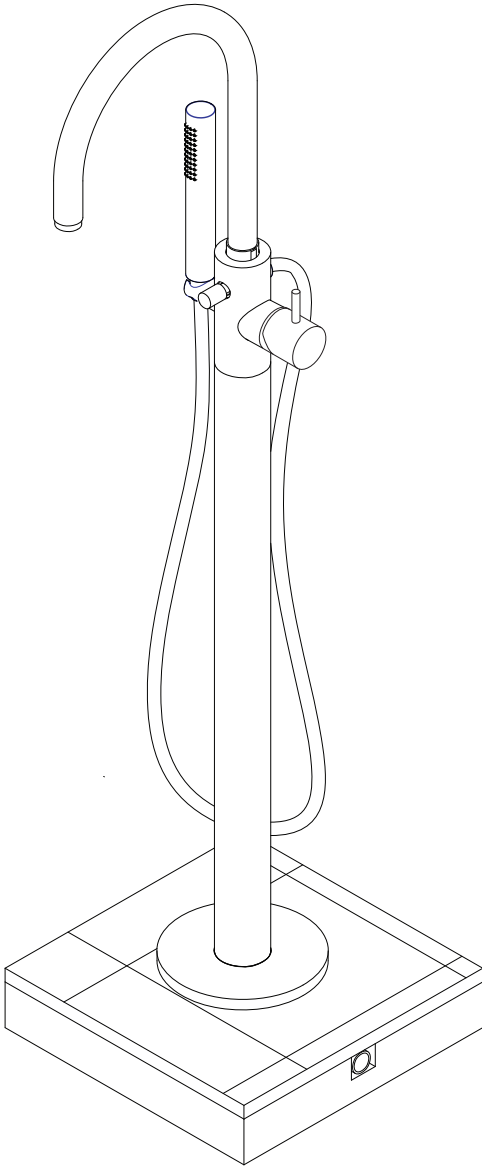


8) Screw the flexible connectors into the tap base. Then fix the column to the floor using the screws supplied.

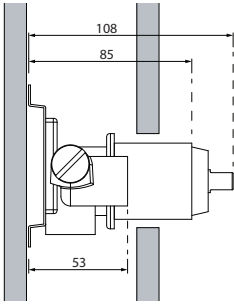


9) Fit the shower hose to the mixer outlet. Ensure the washer is fitted. Then connect the Hand-shower to the hose.

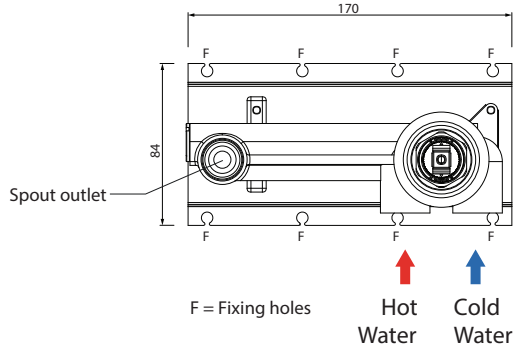
10) Slide the cover plate over the base plate.



Wall mounted Single Lever Basin Mixer

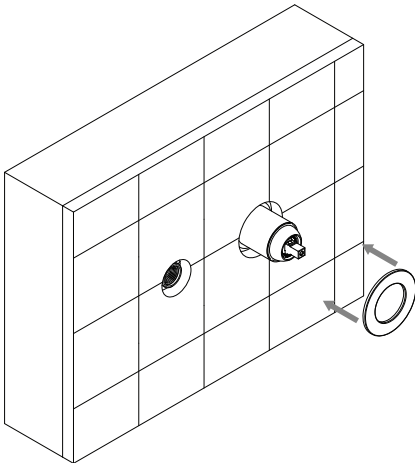
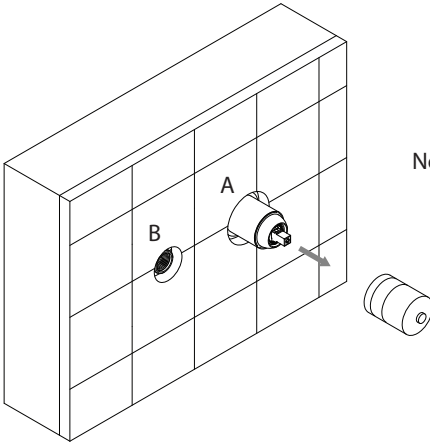


1) Fit the concealed part into the wall cavity, using the fixing holes (F) Pay careful attention to the depth. Check the concealing plate dimensions before making any holes in the finished surface. Connect the hot & cold water supply to the inlets.



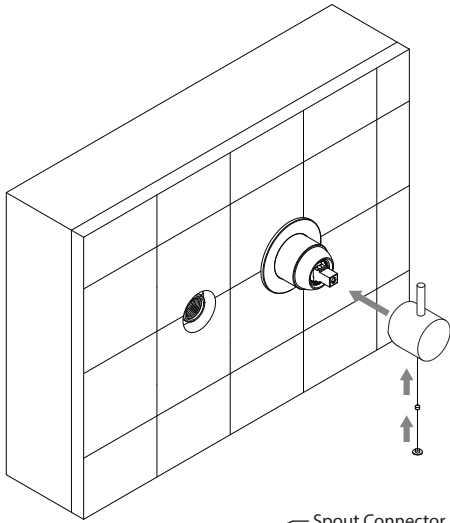
Note: Hole A max \varnothing 50mm , Hole B max \varnothing 40mm

2) Remove the protective cap.

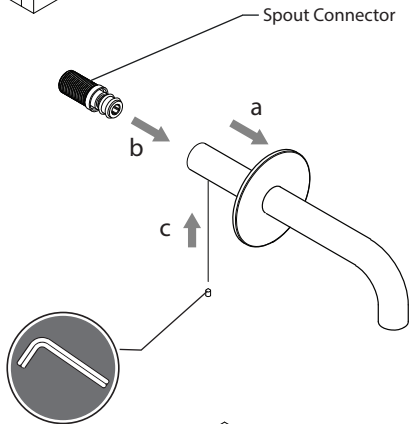


3) Carefully fit the wall plate, using a small bead of silicon sealant, to fix into position.

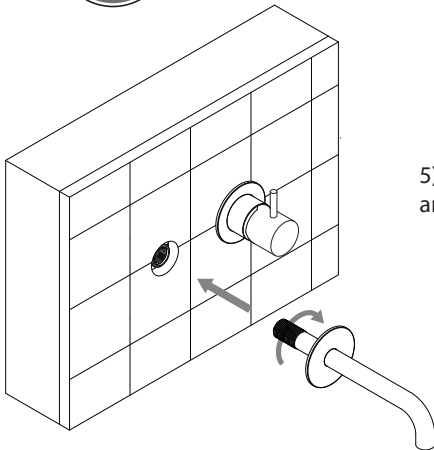




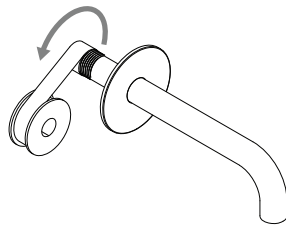
3) Fit the control handle on to the flow control cartridge, and secure by tightening the grub screw using a 2.5mm allen key. Finish by inserting the plastic cap into the grub screw hole.

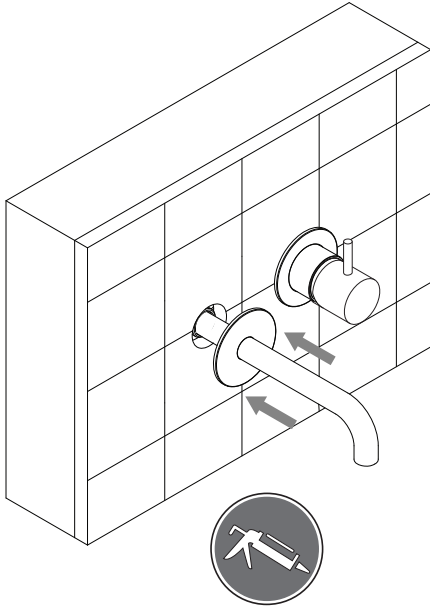


4) Slide the spout wall plate (a) on to the spout taking care not to scratch or damage the surface. Insert the spout connector (b) in to the spout, and secure using the grubscrew (c)

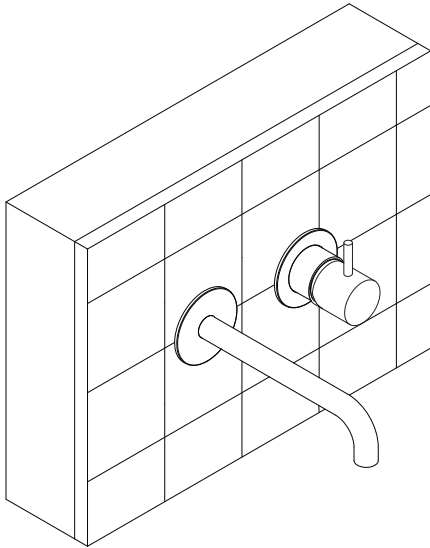


5) Use some PTFE tape on the thread of the spout connector and then screw the spout in to the tap body





6) Carefully slide the spout wall plate back to the wall and secure using a small bead of silicon sealent.



Cleaning.

The Chrome or Matt Black surfaces should be cleaned using only warm soapy water, followed by rinsing and then drying with a soft lint free cloth.

All finishes are vulnerable to attack from limescale, so regular cleaning is recommended.

Do not use household cleaners that contain bleach, or any cleaner that is abrasive.

Maintainance.

Regular maintainance of all products is essential.

Flow control cartridges should be removed and cleaned at least every 12 months.

In hard water areas, the aerator should be removed and cleaned if the flow from the spout becomes erratic or slow.

Flow cartridges and aerators can be cleaned by emmersing in a soultion of 80% white vinegar - 20% warm water for approximatly one hour, and then rinsed using clean warm water. This will remove any limescale build up and ensure the product continues to function as is intended.

