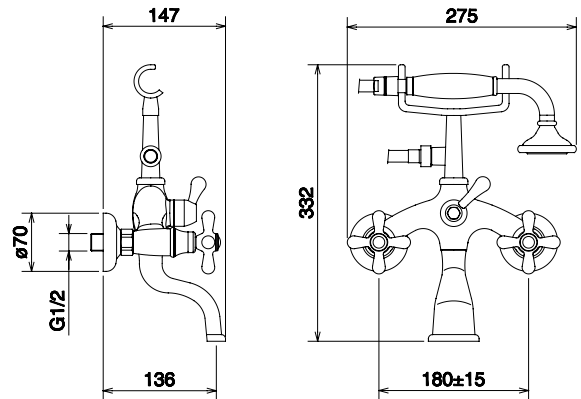


LEONARDO II°

LA TORRE



23019

Vasca esterno senza gancio duplex (interasse 180 mm)
External bath mixer without adjustable shower hook

Cromo, Cromo Oro, Oro, Ramato, Ottone antico
Chrome, Chrome Gold, Gold, Brushed copper, Bronzed

- Rubinetto con comando a maniglia
- Vitone G3/4 con dischi ceramici
- Flusso ad alta portata
- A richiesta vitone tipo meccanico
- Interasse attacchi 180 mm
- Attacchi impianto idrico G1/2
- Deviatore a leva doccia/vasca
- Garanzia 5 anni
-

- Stop cock with handle
- G3/4 screw with ceramic discs
- High flow operation
- Traditional mechanism available to request
- Water supply connections distance 180 mm
- Water supply connections G1/2
- Lever diverter shower/bath
- 5 years guarantee

- Riferimenti normative:
- EN 200 - EN232
- EN 248

- Reference standards:
- EN 200 - En232
- EN 248

- Forature muro (mm):
- min30 max 45

- Drilling wall (mm):
- min30 max 45

La Torre S.p.A
28045 Inverio - No
Via Altovergante, 33
ITALY

Tel. +39 0322 255391 r.a.
Fax +39 0322 255442
www.latorre-spa.it
info@latorre-spa.it

