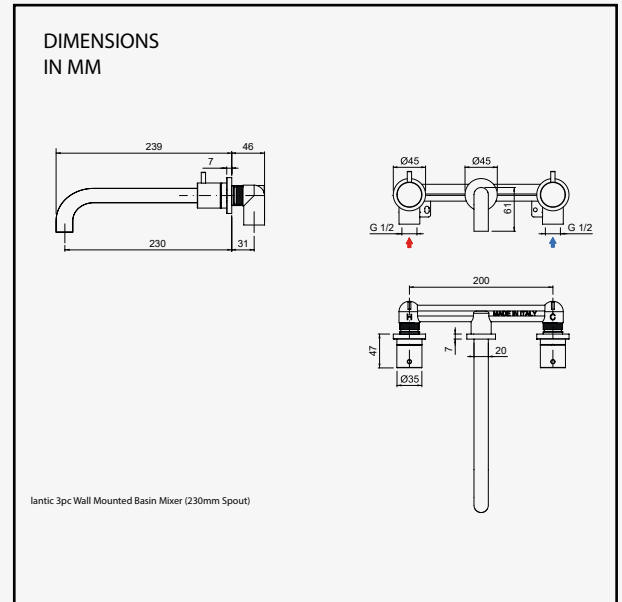


3PC WALL MOUNTED BASIN MIXER (230mm)

GDA100008



- Wall mounted
- Separate controls for Hot & Cold
- Manufactured from high quality brass
- Available in two finishes, Chrome & Matt Black
- Two spout length options, 200mm Or 230mm
- Pop up waste not included
- Suitable for inlet pressures of between 0.5 Bar and 5 Bar
- Not suitable for indirect or gravity fed water systems

FLOW RATE CHART:

