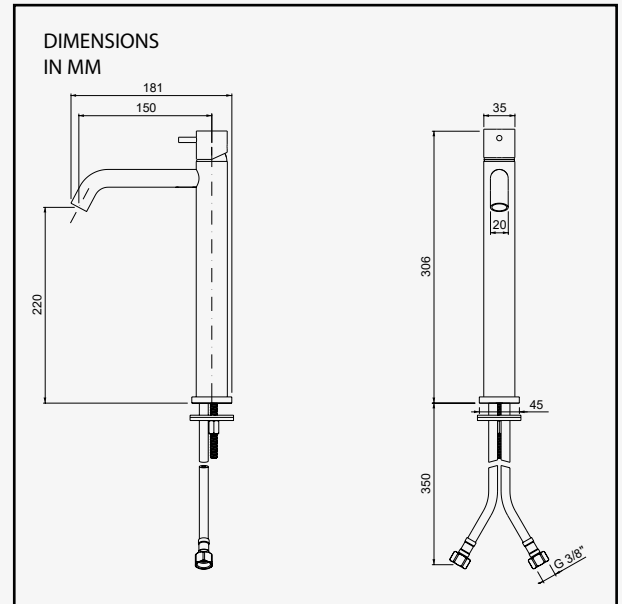


Tall Single Lever Mono Baisin Mixer

GDA100002



- Designed to be surface mounted with a vanity bowl
- Single control to control flow and temperature
- Manufactured from high quality brass
- Available in two finishes, Chrome & Matt Black
- Supplied with flexible stainless-steel connectors
- Pop up waste not included
- Suitable for inlet pressures of between 0.5 Bar and 5 Bar
- Not suitable for indirect or gravity fed water systems

FLOW RATE CHART:

